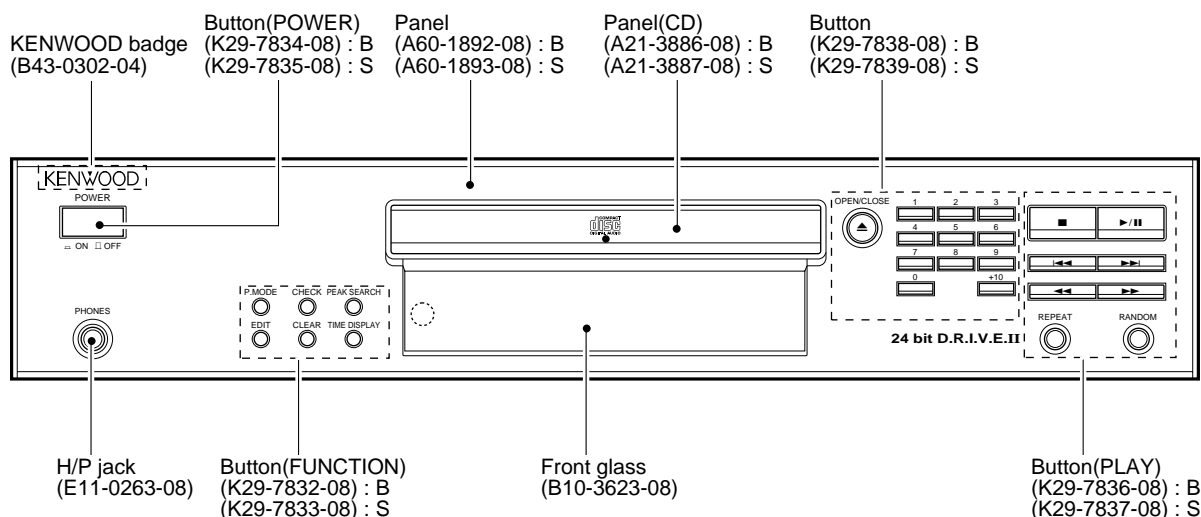


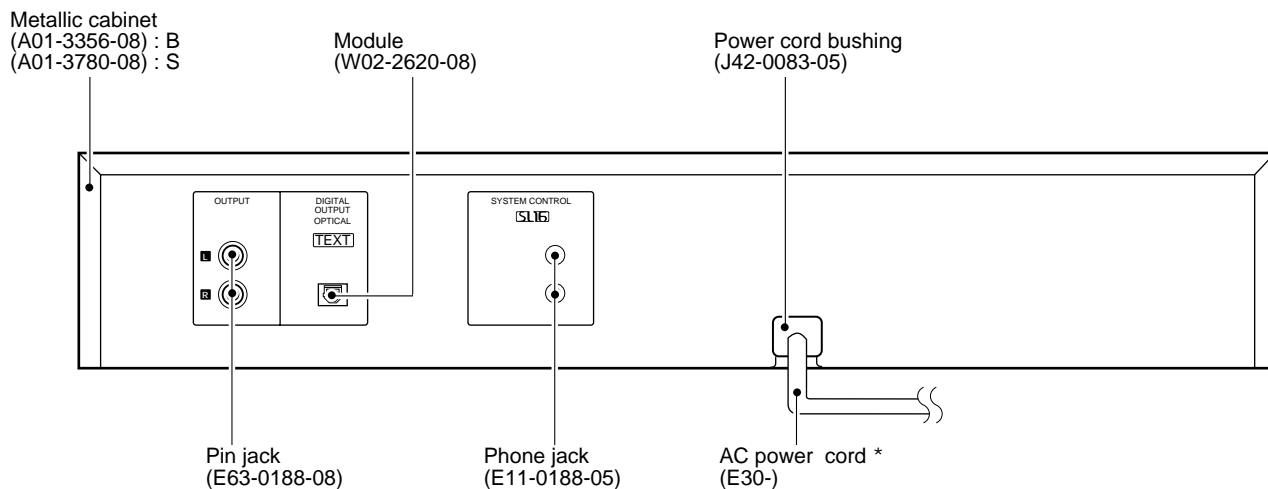
COMPACT DISC PLAYER
DPF-3030/3030E/3030-S
SERVICE MANUAL

KENWOOD

© 2000-3/B51-5608-00 (K/K) 1704



B : black
S : silver



In compliance with Federal Regulations, following are reproductions of labels on, or inside the product relating to laser product safety.

Refer to DP-3080MKII/3090 Service manual (B51-5349-00), if you require disassembly for repair.

*** Refer to parts list on page 14.**

KENWOOD-Corp. certifies this equipment conforms to DHHS Regulations No. 21 CFR 1040. 10, Chapter 1, Subchapter J.

DANGER : Laser radiation when open and interlock defeated. AVOID DIRECT EXPOSURE TO BEAM.



DPF-3030/3030E/3030-S

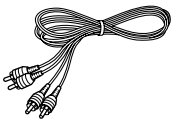
CONTENTS / ACCESSORIES

Contents

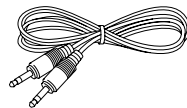
CONTENTS / ACCESSORIES	2	EXPLODED VIEW	12
CIRCUIT DESCRIPTION	3	PARTS LIST	14
ADJUSTMENT	4	PARTS DESCRIPTIONS	17
PC BOARD	5	SPECIFICATIONS	Back cover
SCHEMATIC DIAGRAM	7		

Accessories

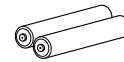
Audio cord (1)
(E30-0505-05)



System control cord (1)
(E30-2733-05)

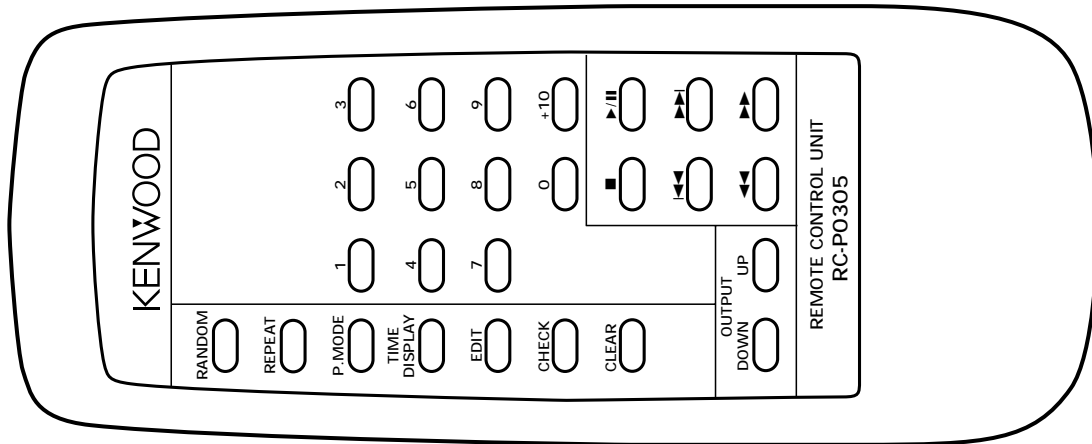


Batteries (R6/AA)..... (2)



Remote control unit (1)
(A70-1181-08) : RC-P0305

Battery cover : (A09-0356-08)



DPF-3030/3030E/3030-S

CIRCUIT DESCRIPTION

1. Microprocessor : CXP82320-535Q(IC500)

Pin description

Pin No.	Pin Name	I/O	Description
1	GFS	-	Unused.
2	RMC	I	Input port of remote control signal.
3	PE5	-	GND.
4,5	PE6,7	-	Unused.
6	MUTE	O	Digital muting control. (ON : L)
7	MLEN	O	Latch control to AD1855(IC600).
8	MCK	O	Clock control to AD1855(IC600).
9	SENS	I	Sense input from CXD2587Q(IC300).
10	MDT	O	Data control to AD1855(IC600).
11	SQCK	O	Clock to read Q data.
12	SUBQ	I	Q data input port.
13	PB7	-	Unused.
14-17	KR0-KR3	I	Key input port(KR0-KR3).
18	CLOSE	O	Control port of loading motor. (ACTIVE : L)
19	OPEN	O	Control port of loading motor. (ACTIVE : L)
20	MON	O	Control port of spindle motor. (ON : H)
21	XRST	O	CXD2587Q(IC300) reset port.
22	DATA	O	Data output to CXD2587Q(IC300).
23	XLT	O	Latch output to CXD2587Q(IC300).
24	CLK	O	Clock output to CXD2587Q(IC300).
25	FOK	I	Focus OK input port.
26	LDON	O	Laser output port. (ON : H)
27	A MUTE	O	Analogue muting output. (ON : H)
28	ZERO(R)	I	Zero(R) flug from AD1855(IC600).
29	ZERO(L)	I	Zero(L) flug from AD1855(IC600).
30	RESET	I	Reset signal input.
31	EXTAL	-	Xtal 4.19MHz.
32	XTAL	-	Xtal 4.19MHz.
33	VSS	-	GND.
34-46	S0-S12	-	Unused.
47	SEG11	O	FL segment port(l)
48	SEG10	O	FL segment port(k), key scan(KS10)
49	SEG9	O	FL segment port(j), key scan(KS9)
50	SEG8	O	FL segment port(i), key scan(KS8)
51-54	SEG7-SEG4	O	FL segment port(g-d), key scan(KS7-KS4)
55-57	SEG3-SEG1	O	FL segment port(c-a)
58-61	T12-T09	-	Unused.
62-70	G9-G1	O	Output port. To FL grid.
71	VFDP	-	Power supply(-26V).
72	VDD	-	Power supply(+5.0V).
73	NC	-	Connected to VDD.
74	STOP	I	Detection port of limit switch. (ON : L)
75	16BIT	O	Unused.
76	SYSTEM DATA	I/O	System serial data.
77	SYSTEM BUSY	I/O	System serial busy.
78	SCOR	I	SCOR from 2587Q(IC300).
79	OP/SW	I	Input port of open switch. (ON : L)
80	CL/SW	I	Input port of close switch. (ON : L)

2. TEST MODE

KEY	DISPLAY	OPERATION
PEAK SEARCH + AC ON	01 FFFF	Entering the the test mode.
PLAY/PAUSE	03	T-SERVO OFF
	05	T-SERVO ON
▶▶	-	The pickup travels outwards in the stop mode.
◀◀	-	The pickup travels inwards in the stop mode.

To cancel the test mode, turn the power off.

DPF-3030/3030E/3030-S

ADJUSTMENT

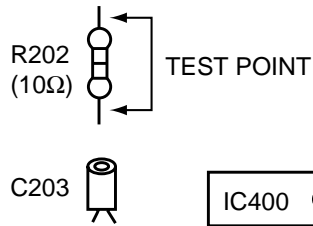
No.	ITEM	INPUT SETTING	OUTPUT SETTING	PLAYER SETTING	ALIGNMENT POINT	ALIGN FOR	FIG.
<p>1. With pressing the "PEAK SEARCH" key, turn the power on to enter the test mode.</p> <p>2. Press the "OPEN/CLOSE" key and then load the test disc on the tray.</p> <p>3. To close the tray, press the "OPEN/CLOSE" key.</p>							
1	FOCUS OFFSET	TEST DISC TYPE 4	Connect an oscilloscope to TP200 RF (PIN 2) VC (PIN 1)	Press the "PLAY/PAUSE" key. Confirm that the display is "05".	VR200	Optimum eye pattern	
2	LASER CURRENT CHECK	TEST DISC TYPE 4	Connect the DC voltmeter to R202(both ends).	Press the "PLAY/PAUSE" key. Confirm that the display is 03 or 05.	-	0.5V ± 0.2V	(a)

Note:

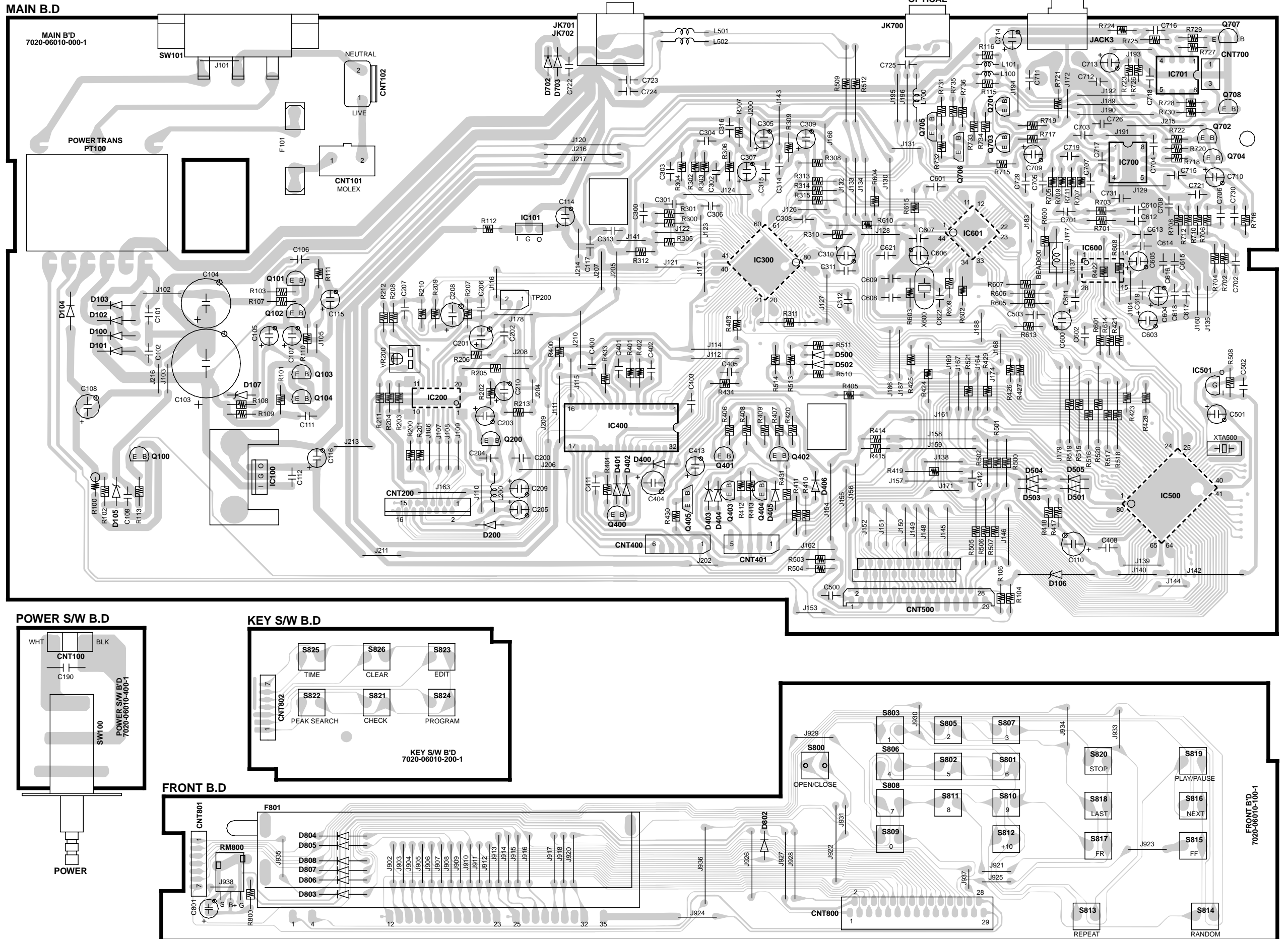
Type 4 disc : SONY YEDS-18 Test Disc or equivalent.

LPF: Around 47 kΩ+ 390 pF or so.

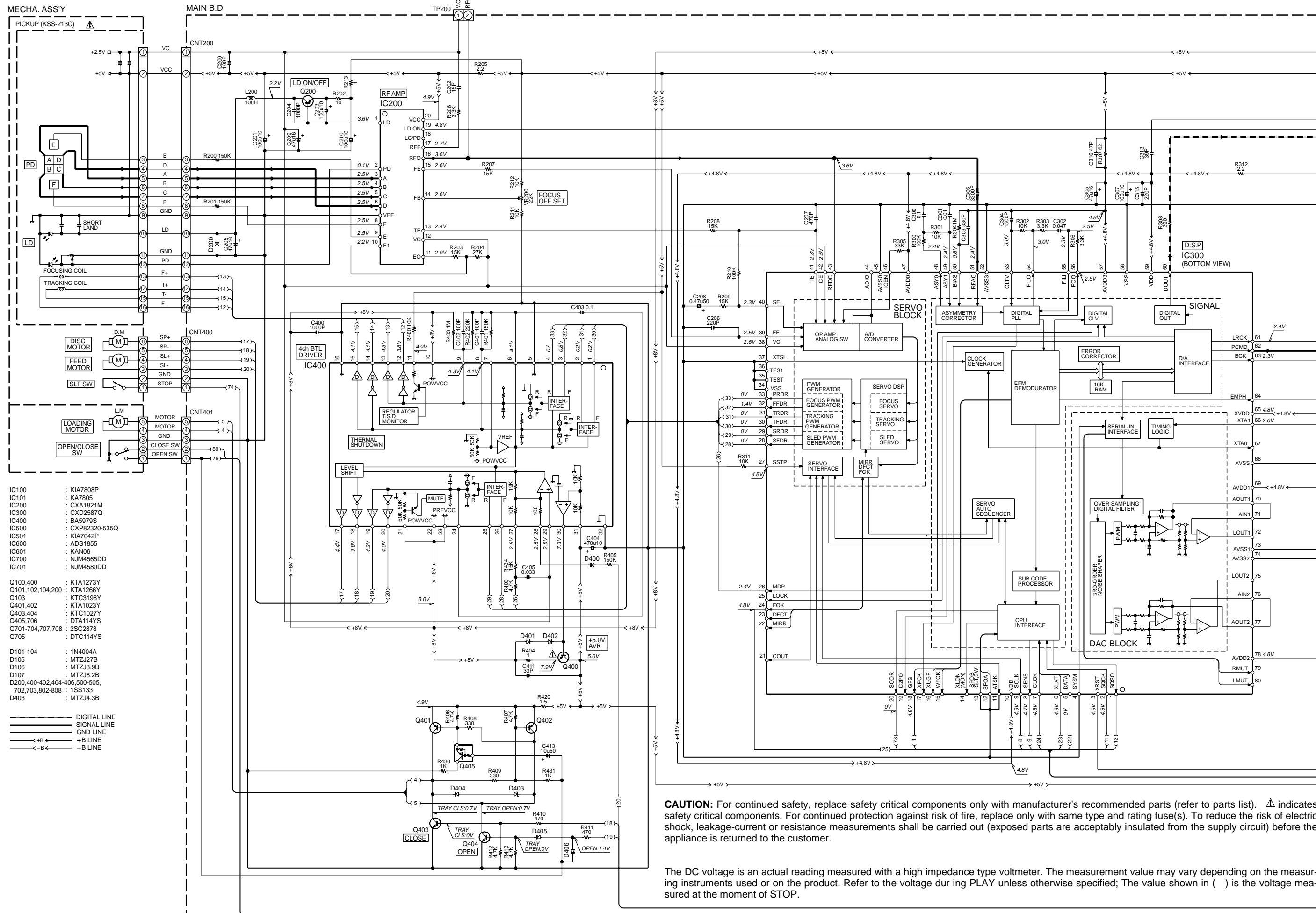
(a) TEST POINT OF LASER CURRENT



PC BOARD(Component side view)



Refer to the schematic diagram for the value of resistors and capacitors.



- IC100 : KIA7808P
- IC101 : KA7805
- IC200 : CXA1821M
- IC300 : CXD2587Q
- IC400 : BA5979S
- IC500 : CXP82320-535Q
- IC501 : KIA7042P
- IC600 : ADS1855
- IC601 : KAN06
- IC700 : NJM4565DD
- IC701 : NJM4580DD

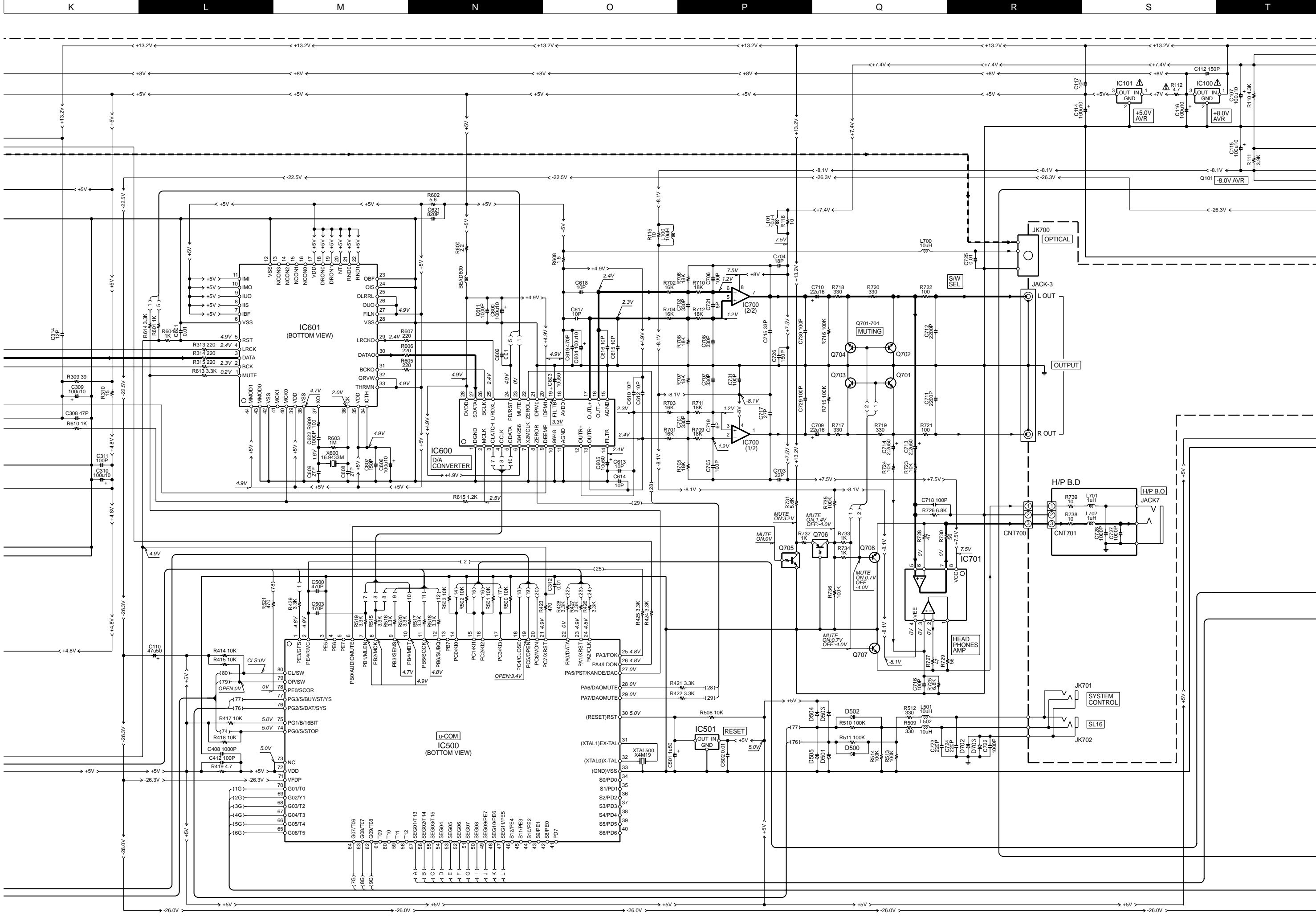
- Q100,400 : KTA1273Y
- Q101,102,104,200 : KTA1266Y
- Q103 : KTC3198Y
- Q401,402 : KTA1023Y
- Q403,404 : KTC1027Y
- Q405,706 : DTA114YS
- Q701-704,707,708 : 2SC2878
- Q705 : DTC114YS

- D101-104 : 1N4004A
- D105 : MTZJ27B
- D106 : MTZJ3.9B
- D107 : MTZJ8.2B
- D200,400-402,404-406,500-505,702,703,802-808 : 1SS133
- D403 : MTZJ4.3B

- - - - - DIGITAL LINE
 _____ SIGNAL LINE
 _____ GND LINE
 ←+B← +B LINE
 ←-B← -B LINE

CAUTION: For continued safety, replace safety critical components only with manufacturer's recommended parts (refer to parts list). Δ indicates safety critical components. For continued protection against risk of fire, replace only with same type and rating fuse(s). To reduce the risk of electric shock, leakage-current or resistance measurements shall be carried out (exposed parts are acceptably insulated from the supply circuit) before the appliance is returned to the customer.

The DC voltage is an actual reading measured with a high impedance type voltmeter. The measurement value may vary depending on the measuring instruments used or on the product. Refer to the voltage during PLAY unless otherwise specified; The value shown in () is the voltage measured at the moment of STOP.



IC601 (BOTTOM VIEW)

IC600 (D/A CONVERTER)

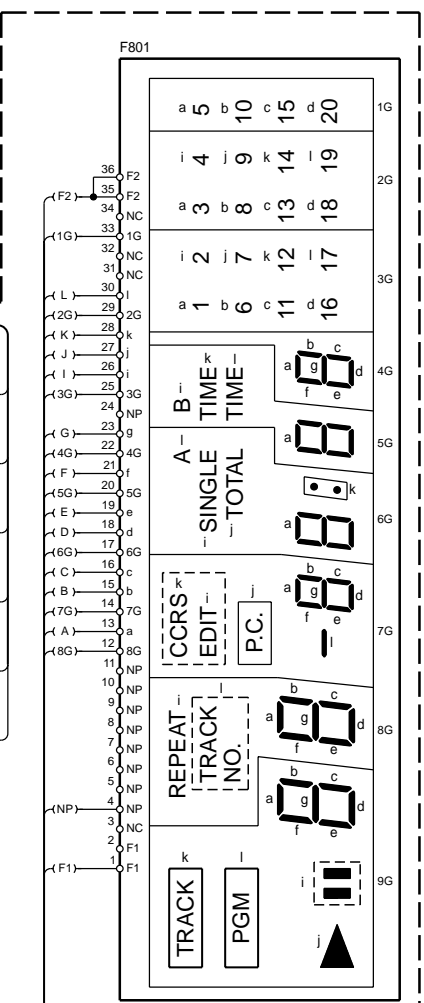
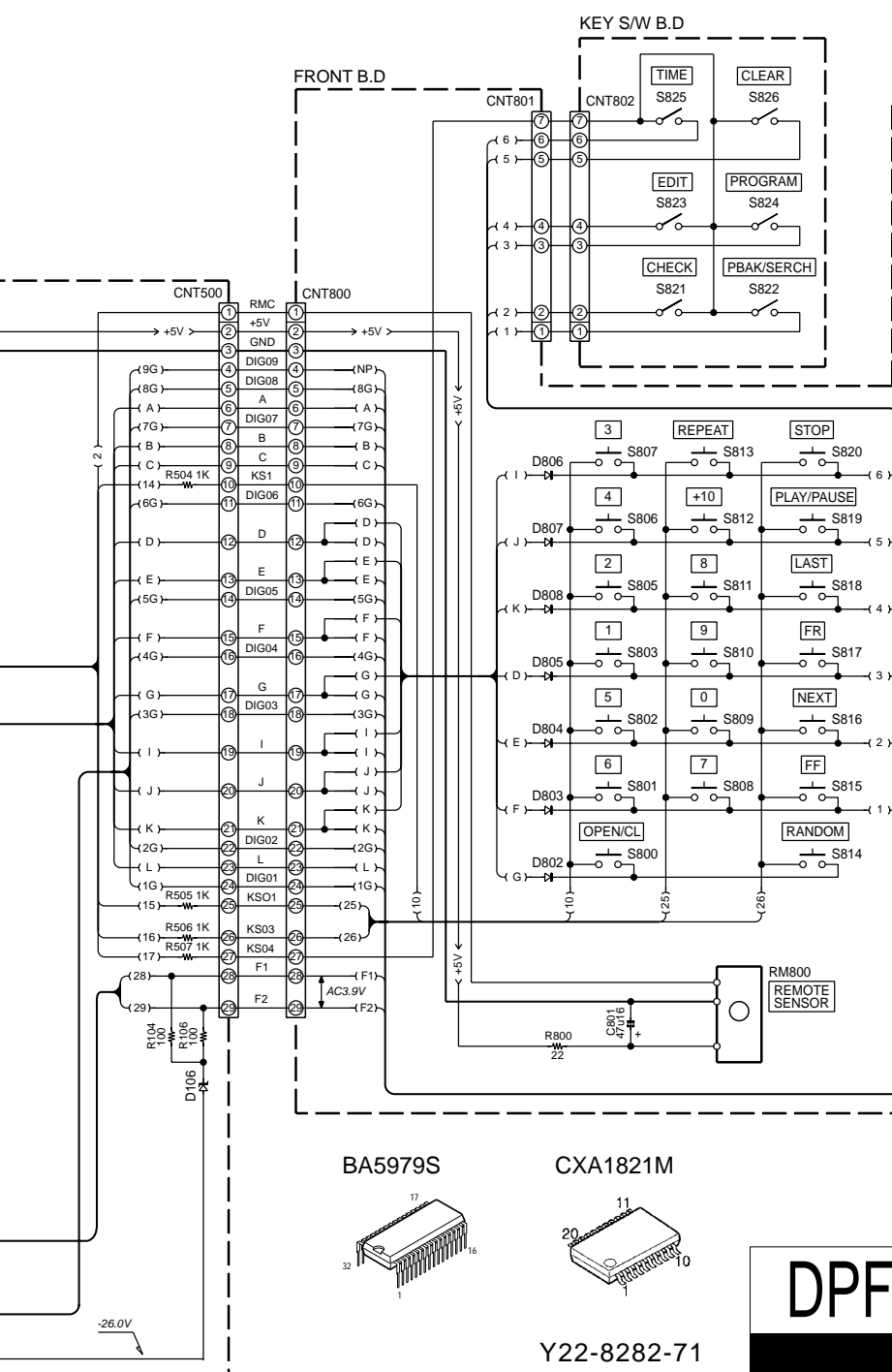
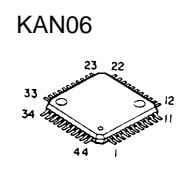
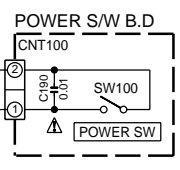
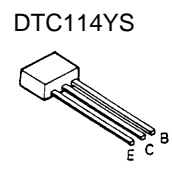
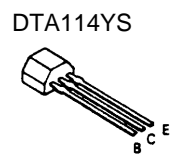
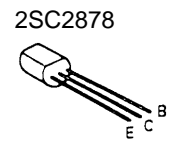
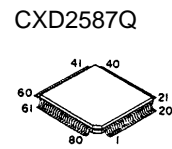
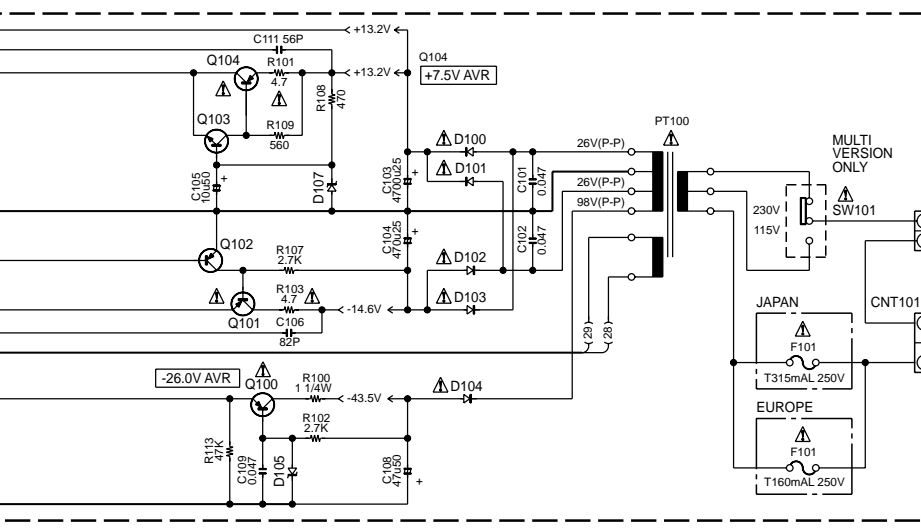
u-COM IC500 (BOTTOM VIEW)

H/P B.D

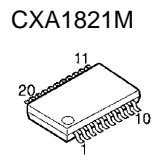
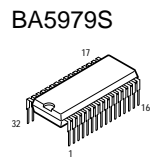
H/P B.O

SYSTEM CONTROL

SL16



DPF-3030



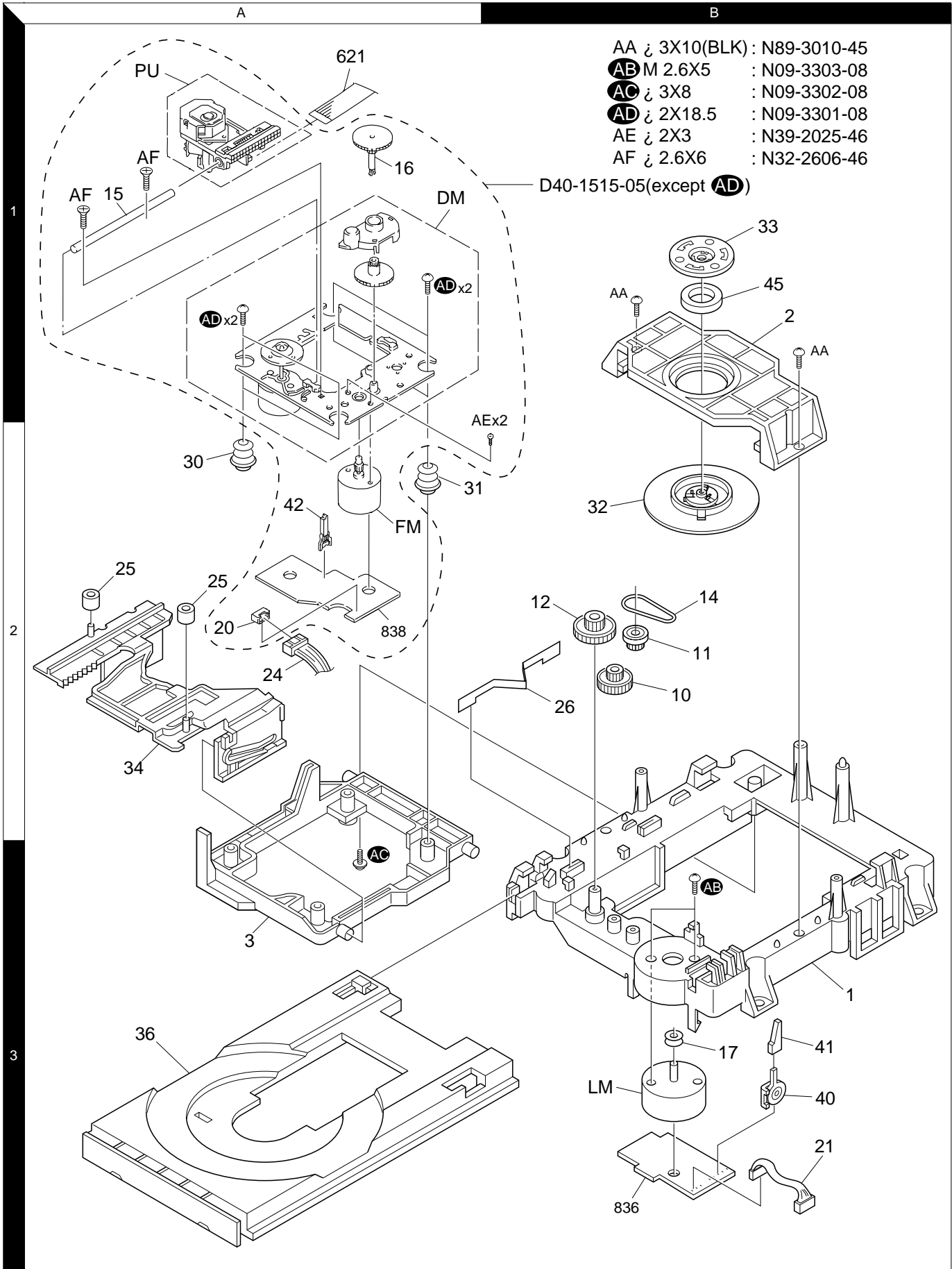
Y22-8282-71

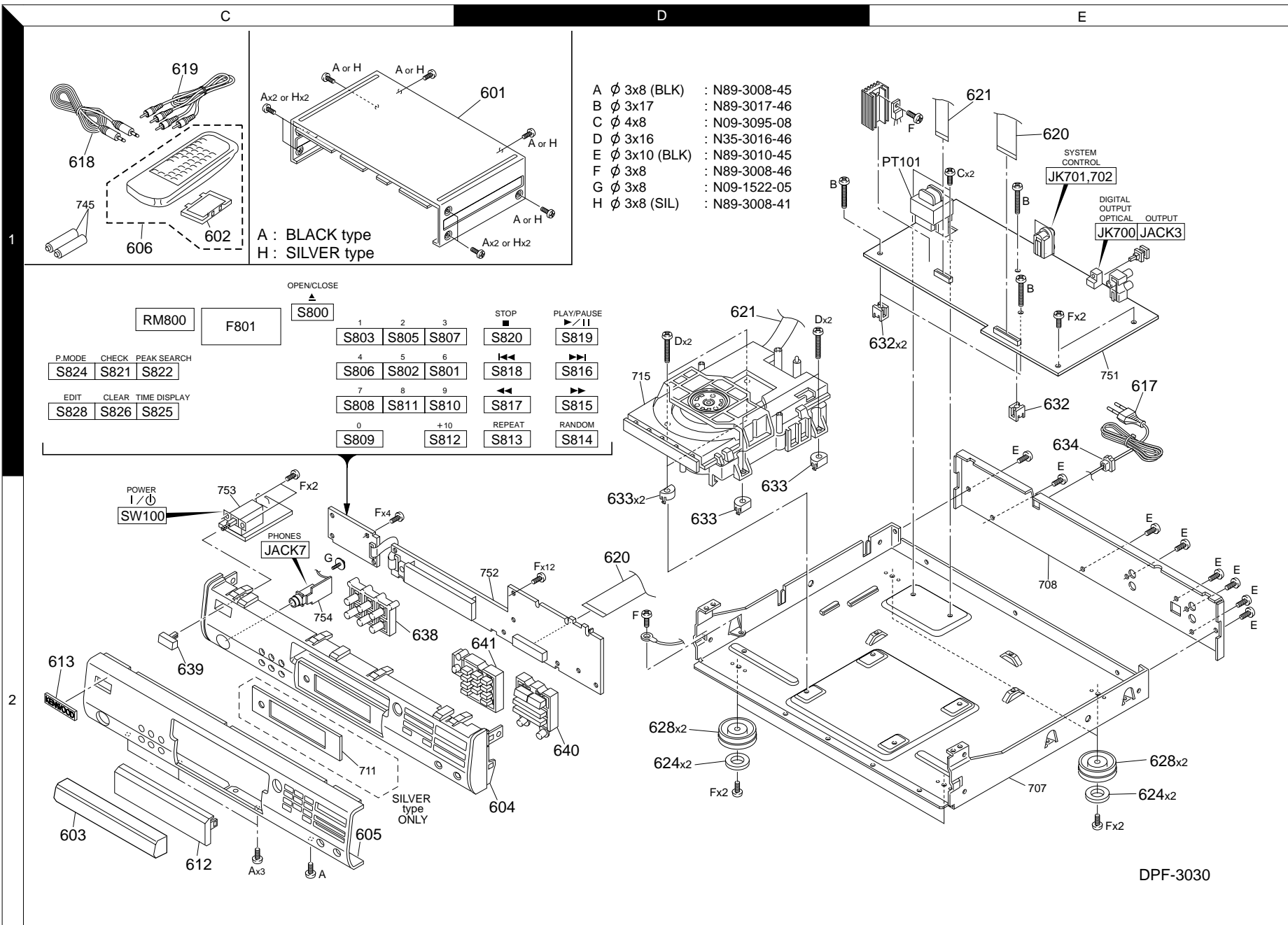
DPF-3030/3030E/3030-S

KENWOOD

DPF-3030/3030E/3030-S

EXPLODED VIEW (MECHANISM)





EXPLODED VIEW (UNIT)

DPF-3030/3030E/3030-S

DPF-3030

* New Parts

Parts without **Parts No.** are not supplied.

Les articles non mentionnés dans le **Parts No.** ne sont pas fournis.

Teile ohne **Parts No.** werden nicht geliefert.

①

Ref. No	Add-ress	New Parts	Parts No.	Description	Desti-nation	Re-marks
DPF-3030/3030E/3030-S						
601	1C	*	A01-3356-08	METALLIC CABINET		B
601	1C	*	A01-3780-08	METALLIC CABI 4317020226020		S
602	1C		A09-0356-08	BATTERY COVER		
603	2C	*	A21-3886-08	PANEL (CD) 4317210131000		B
603	2C	*	A21-3887-08	PANEL (CD) 4317210131100		S
604	2D	*	A22-1845-08	SUB PANEL 3210210071000		B
604	2D	*	A22-1846-08	SUB PANEL 3210210071100		S
605	2C	*	A60-1892-08	PANEL 3067210288000		B
605	2C	*	A60-1893-08	PANEL 3067210288100		S
606	1C		A70-1181-08	REMOCON (RC-P0305)		
612	2C	*	B10-3623-08	FRONT GLASS 5070210313000		
613	2C		B43-0302-04	BADGE		
-	-	*	B46-0310-03	WARRANTY CARD		
-	-	*	B60-4517-08	INSTRUCTION MANUAL (EN)	TE2	
-	-	*	B60-4518-08	INSTRUCTION MANUAL (FR)	E	
-	-	*	B60-4519-08	INSTRUCTION MANUAL (GE)	E	
-	-	*	B60-4520-08	INSTRUCTION MANUAL (IT)	E	
-	-	*	B60-4521-08	INSTRUCTION MANUAL (NE)	E	
-	-	*	B60-4522-08	INSTRUCTION MANUAL (ES)	E	
-	-	*	B60-4584-08	INSTRUCTION MANUAL (PL)	E2	
-	-	*	B60-4585-08	INSTRUCTION MANUAL (HU)	E2	
-	-	*	B60-4586-08	INSTRUCTION MANUAL (CZ)	E2	
-	-	*	B60-4587-08	INSTRUCTION MANUAL (RU)	E2	
△ 617	1E		E30-2592-15	AC POWER CORD	EE2	
△ 617	1E		E30-2721-05	AC POWER CORD	T	
618	1C		E30-2733-05	CORD WITH PLUG		
619	1C		E30-0505-05	AUDIO CORD		
620	1E,2D	*	E35-2682-08	FLAT CABLE (29P) L301292210010		
621	1D,1E	*	E35-2686-08	FLAT CABLE (16P)		
624	2D,2E		G13-0534-08	CUSHION		
-	-		H10-7404-08	PAD (REAR)		
-	-		H10-7506-08	POLYSTYRENE FOAMED FIXTURE		
-	-		H25-1573-08	PROTECTION BAG (700X650)		
-	-		H25-1601-08	PROTECTION BAG (260X390)		
-	-	*	H50-3585-08	ITEM CARTON CASE	E	S
-	-	*	H50-3586-08	ITEM CARTON CASE	E	S
-	-	*	H50-3714-08	ITEM CARTON CASE	T	B
-	-	*	H50-3715-08	ITEM CARTON CASE	T	B
-	-	*	H50-3716-08	ITEM CARTON CASE	E2	B
628	2D,2E		J02-1421-08	FOOT		
629	2D,2E	*	J02-1422-08	FOOT ASSY(FOOT+CUSHION)		
632	1E		J19-5725-08	UNIT HOLDER		
633	2D		J32-0340-08	FOOT (MECHA)		
△ 634	1E		J42-0083-05	POWER CORD BUSHING		
638	2C	*	K29-7832-08	BUTTON(FUNCTION)5090210611000		B
638	2C	*	K29-7833-08	BUTTON(FUNCTION)5097210611100		S
639	2C	*	K29-7834-08	BUTTON(POWER) 5090210621000		B
639	2C	*	K29-7835-08	BUTTON(POWER) 5097210621100		S
640	2D	*	K29-7836-08	BUTTON(PLAY) 5097210591000		B
640	2D	*	K29-7837-08	BUTTON(PLAY) 5097210591100		S

L : Scandinavia K : USA P : Canada R : Mexico C : China I : Malaysia B : BLACK
 Y : PX(Far East,Hawaii) T : England E : Europe G : Germany V : China(Shanghai) S : SILVER
 Y : AAFES(Europe) X : Australia Q : Russia H : Korea M : Other Areas △ indicates safety critical components.

* New Parts

Parts without **Parts No.** are not supplied.

Les articles non mentionnés dans le **Parts No.** ne sont pas fournis.

Teile ohne **Parts No.** werden nicht geliefert.

②

Ref. No	Add-ress	New Parts	Parts No.	Description	Desti-nation	Re-marks
641	2D	*	K29-7838-08	BUTTON(10)		B
641	2D	*	K29-7839-08	BUTTON(10)		S
C		*	N09-3095-08	SCREW,TAP TITE ASSY		
ELECTRICAL PARTS						
F801			CM1703C	INDICATOR TURU K530000300020		
C101,102			CK45FB1H473Z	CERAMIC 0.047UF Z		
C103			CE04KW1E472M	ELECTRO 4700UF 25WV		
C104			CE04KW1E471M	ELECTRO 470UF 25WV		
C105			CE04KW1H100M	ELECTRO 10UF 50WV		
C106			CC45FSL1H820J	CERAMIC 82PF J		
C107			CE04KW1A101M	ELECTRO 100UF 10WV		
C108			CE04KW1H470M	ELECTRO 47UF 50WV		
C109			CK45FB1H473Z	CERAMIC 0.047UF Z		
C110			CE04KW1H470M	ELECTRO 47UF 50WV		
C111			CC45FSL1H560J	CERAMIC 56PF J		
C112			CC45FSL1H151J	CERAMIC 150PF J		
C114-116			CE04KW1A101M	ELECTRO 100UF 10WV		
C117			CC45FSL1H100J	CERAMIC 10PF J		
△ C190		*	C91-1602-08	CERAMIC 0.01UF 250WV		
C200			CC45FSL1H101K	CERAMIC 100PF K		
C201			CE04KW1A101M	ELECTRO 100UF 10WV		
C202			CC45FSL1H150J	CERAMIC 15PF J		
C203			CE04KW1A101M	ELECTRO 100UF 10WV		
C204			CK45FB1H102K	CERAMIC 1000PF K		
C205			CE04KW1C470M	ELECTRO 47UF 16WV		
C206			CC45FSL1H221J	CERAMIC 220PF J		
C207			CC45FSL1H471J	CERAMIC 470PF J		
C208			CE04KW1HR47M	ELECTRO 0.47UF 50WV		
C209			CE04KW1C470M	ELECTRO 47UF 16WV		
C210			CE04KW1A101M	ELECTRO 100UF 10WV		
C300			CQ92FM1H104J	MYLAR 0.10UF J		
C301			CQ92FM1H103J	MYLAR 0.010UF J		
C302			CQ92FM1H473J	MYLAR 0.047UF J		
C303			CC45FSL1H331J	CERAMIC 330PF J		
C304			CQ92FM1H152J	MYLAR 1500PF J		
C305			CE04KW1C470M	ELECTRO 47UF 16WV		
C306			CQ92FM1H332J	MYLAR 3300PF J		
C307			CE04KW1A101M	ELECTRO 100UF 10WV		
C308			CC45FSL1H470J	CERAMIC 47PF J		
C309,310			CE04KW1A101M	ELECTRO 100UF 10WV		
C311			CC45FSL1H101K	CERAMIC 100PF K		
C312			CK45FB1H103Z	CERAMIC 0.010UF Z		
C313			CC45FSL1H390J	CERAMIC 39PF J		
C314			CC45FSL1H120J	CERAMIC 12PF J		
C315			CC45FSL1H221J	CERAMIC 220PF J		
C316			CC45FSL1H470J	CERAMIC 47PF J		
C400			CK45FB1H102K	CERAMIC 1000PF K		
C401,402			CC45FSL1H101K	CERAMIC 100PF K		
C403			CQ92FM1H104J	MYLAR 0.10UF J		
C404			CE04KW1A471M	ELECTRO 470UF 10WV		
C405			CQ92FM1H333J	MYLAR 0.033UF J		
C408			CQ92FM1H102J	MYLAR 1000PF J		
C411			CC45FSL1H330J	CERAMIC 33PF J		

L : Scandinavia K : USA P : Canada R : Mexico C : China I : Malaysia B : BLACK
 Y : PX(Far East,Hawaii) T : England E : Europe G : Germany V : China(Shanghai) S : SILVER
 Y : AAFES(Europe) X : Australia Q : Russia H : Korea M : Other Areas △ indicates safety critical components.

DPF-3030/3030E/3030-S

PARTS LIST

* New Parts

Parts without **Parts No.** are not supplied.Les articles non mentionnés dans le **Parts No.** ne sont pas fournis.Teile ohne **Parts No.** werden nicht geliefert.

③

Ref. No	Add-ress	New Parts	Parts No.	Description	Desti-nation	Re-marks
C412			CC45FSL1H101K	CERAMIC 100PF		K
C413			CE04KW1H100M	ELECTRO 10UF		50WV
C500			CC45FSL1H471J	CERAMIC 470PF		J
C501			CE04KW1H010M	ELECTRO 1.0UF		50WV
C502			CK45FB1H103Z	CERAMIC 0.010UF		Z
C503			CC45FSL1H471J	CERAMIC 470PF		J
C600			CE04KW1A101M	ELECTRO 100UF		10WV
C601,602			CK45FB1H103Z	CERAMIC 0.010UF		Z
C603			CE04KW1H100M	ELECTRO 10UF		50WV
C604			CE04KW1A101M	ELECTRO 100UF		10WV
C605			CE04KW1H100M	ELECTRO 10UF		50WV
C606			CE04KW1A101M	ELECTRO 100UF		10WV
C607			CC45FSL1H151J	CERAMIC 150PF		J
C608,609			CC45FSL1H270J	CERAMIC 27PF		J
C610			CC45FSL1H100D	CERAMIC 10PF		D
C611			CK45FB1H102K	CERAMIC 1000PF		K
C612-618			CC45FSL1H100D	CERAMIC 10PF		D
C619			CC45FSL1H471J	CERAMIC 470PF		J
C621			CC45FSL1H821J	CERAMIC 820PF		J
C622			CQ92FM1H102J	MYLAR 1000PF		J
C701,702			CC45FSL1H331J	CERAMIC 330PF		J
C703			CC45FSL1H220J	CERAMIC 22PF		J
C704			CC45FSL1H180J	CERAMIC 18PF		J
C705,706			CC45FSL1H101K	CERAMIC 100PF		K
C707,708			CC45FSL1H101K	CERAMIC 100PF		K
C709,710			CE04KW1C220M	ELECTRO 22UF		16WV
C711,712			CQ92FM1H222J	MYLAR 2200PF		J
C713,714			CE04KW1H2R2M	ELECTRO 2.2UF		50WV
C715			CC45FSL1H330J	CERAMIC 33PF		J
C716			CC45FSL1H101K	CERAMIC 100PF		K
C717			CC45FSL1H270J	CERAMIC 27PF		J
C718			CC45FSL1H101K	CERAMIC 100PF		K
C719			CC45FSL1H060D	CERAMIC 6.0PF		D
C721			CC45FSL1H050C	CERAMIC 5.0PF		C
C722			CK45FB1H102K	CERAMIC 1000PF		K
C723,724			CC45FSL1H221J	CERAMIC 220PF		J
C725			CK45FB1H103Z	CERAMIC 0.010UF		Z
C726			CC45FSL1H151J	CERAMIC 150PF		J
C727,728			CK45FB1H102K	CERAMIC 1000PF		K
C727,728			CK45FB1H102K	CERAMIC 1000PF		K
C729,730			CC45FSL1H101K	CERAMIC 100PF		K
C731			CC45FSL1H101K	CERAMIC 100PF		K
C801			CE04KW1A470M	ELECTRO 47UF		10WV
CNT101			E40-8556-08	CN,WAFER		
CNT102			E40-9986-08	CN,WAFER		
CNT200			E40-8290-08	CN,FPC		
CNT400			E35-1607-08	CN,WAFER	L102526700600	
CNT401			E35-1606-08	CN,WAFER	L102526700500	
CNT500		*	E40-8684-08	FFC CONNEC(29P)	L131837002900	
CNT800		*	E40-8685-08	FFC CONNEC(29P)	L131524922920	
JACK3			E63-0188-08	TER,RCA		
JACK7			E11-0263-08	HEAD PHONE JACK	G402038400040	
JK700			W02-2620-08	MODULE		
JK701,702			E11-0188-05	JACK(SISTEM)		

L : Scandinavia K : USA P : Canada R : Mexico C : China I : Malaysia B : BLACK
 Y : PX(Far East,Hawaii) T : England E : Europe G : Germany V : China(Shanghai) S : SILVER
 Y : AAFES(Europe) X : Australia Q : Russia H : Korea M : Other Areas Δ indicates safety critical components.

* New Parts

Parts without **Parts No.** are not supplied.Les articles non mentionnés dans le **Parts No.** ne sont pas fournis.Teile ohne **Parts No.** werden nicht geliefert.

④

Ref. No	Add-ress	New Parts	Parts No.	Description	Desti-nation	Re-marks
Δ F101			F05-1612-05	FUSE G650161251160		
BEAD600			L92-0017-05	FERRITE CORE 7610000010520		
L100,101			L33-0574-08	COIL		
L200			L33-0574-08	COIL		
L501,502			L33-0574-08	COIL		
L700			L33-0574-08	COIL		
L701,702			L40-1091-17	COIL D3301R0001020		
PT100			L07-2591-08	POWER TRANS		
X600			L78-0687-08	CRYSTAL		
XTAL500			L78-0209-05	RESONATOR E830419000060		
R100			RS14KB2H1R0J	FL-PROOF RS 1 J 1/2W		
Δ R101			RD14BB2C4R7J	RD 4.7 J 1/6W		
Δ R103			RD14BB2C4R7J	RD 4.7 J 1/6W		
Δ R112			RD14BB2C4R7J	RD 4.7 J 1/6W		
VR200			R12-3686-05	VR C544223015140		
S800-826			S70-0059-08	SW,TACT G180000210030		
SW100		*	S68-0131-08	SW,PUSH (POWER) G000122006030		
Δ D100-104			1N4004A	DIODE		
D105			MTZJ27B	ZENER DIODE		
D106			MTZJ3.9B	ZENER DIODE		
D107			MTZJ8.2B	ZENER DIODE		
D200			1SS133	DIODE		
D400-402			1SS133	DIODE		
D403			MTZJ4.3B	ZENER DIODE		
D404-406			1SS133	DIODE		
D500-505			1SS133	DIODE		
D702,703			1SS133	DIODE		
Δ D802-808			1SS133	DIODE		
IC100			TA7808S	IC		
Δ IC101			KA7805	IC		
IC200			CXA1821M	IC(CD RF AMPLIFIER)		
IC300			CXD2587Q	IC(DAC DSP)		
IC400			BA5979S	IC(4CH BTL)		
IC500			CXP82320-535Q	IC		
IC501			KIA7042P	IC		
IC600			AD1855	IC		
IC601			KAN06	IC(D.R.I.V.E)		
IC700			NJM4565D-D	IC		
IC701			NJM4580D-D	IC		
Δ Q100			KTA1273Y	TRANSISTOR		
Δ Q101,102			2SA1266(Y)	TRANSISTOR		
Q103			KTC3198Y	TRANSISTOR		
Δ Q104			2SA1266(Y)	TRANSISTOR		
Q200			2SA1266(Y)	TRANSISTOR		
Δ Q400			KTA1273Y	TRANSISTOR		
Q401,402			2SA1023	TRANSISTOR		
Q403,404			KTC1027Y	TRANSISTOR		
Q405			DTA114YS	TRANSISTOR		
Q701-704			2SC2878	TRANSISTOR		
Q705			DTC114YS	TRANSISTOR		
Q706			DTA114YS	TRANSISTOR		
Q707,708			2SC2878	TRANSISTOR		
RM800		*	W02-2765-08	MODULE REMOCONE940000140020		

L : Scandinavia K : USA P : Canada R : Mexico C : China I : Malaysia B : BLACK
 Y : PX(Far East,Hawaii) T : England E : Europe G : Germany V : China(Shanghai) S : SILVER
 Y : AAFES(Europe) X : Australia Q : Russia H : Korea M : Other Areas Δ indicates safety critical components.

PARTS LIST

DPF-3030/3030E/3030-S

* New Parts
 Parts without **Parts No.** are not supplied.
 Les articles non mentionnes dans le **Parts No.** ne sont pas fournis.
 Teile ohne **Parts No.** werden nicht geliefert.

5

Ref. No	Add-ress	New Parts	Parts No.	Description	Desti-nation	Re-marks
MECHANISM ASSY						
1	3B		A10-3405-08	MECHA BASE		
2	1B		A15-0090-08	FLAPPER		
3	3A		A13-3114-08	FRAME FEED		
10	2B		D13-1754-08	GEAR CENTER		
11	2B		D13-1753-08	GEAR PULLEY		
12	2B		D13-1755-08	GEAR LOAD		
14	2B		D16-0703-08	BELT		
15	1A		D10-3606-08	ROD (GUIDE)		
16	1A		D13-1720-08	GEAR (DRIVING)		
20	2A		E40-3264-05	CONNECTOR S6B-PH		
21	3B		E35-2224-08	WIRE HARNES 5P		
24	3B		E35-2223-08	WIRE HARNES 6P		
25	2A		F07-0783-08	RUBBER STOPPER		
26	2B		G09-0657-08	SPRING RACK		
30	2A		G11-2367-08	INULATOR(4B, GREEN)		
31	2A		G11-2368-08	INULATOR(30, RED)		
32	2B		J11-0829-08	CLAMPER		
33	1B		J21-6409-08	PLATE CLAMPER		
34	2A		J90-0853-08	GUIDE FRAME		
36	3A		J99-0600-08	TRAY		
41	3B		J31-0874-08	HOLDER SW		
AB			N09-3303-08	SCREW		
AC			N09-3302-08	SCREW WPH 3X8		
AD			N09-3301-08	SCREW		
40	3B		S74-0068-08	SWITCH LEAF		
42	2A		S74-0038-08	LEAF SWITCH		
17	3B		D15-0395-08	PULLEY MOTOR		
45	1B		T99-0579-08	MAGNET CORE		
DM	1A		A11-1082-18	DISC MOTOR ASSY		
FM	2A		T42-0817-08	FEED MOTOR ASSY		
LM	3B		T42-0855-08	MOTOR, DC		
PU	1A		T25-0061-08	PICK UP (KSS-213C)		

HOW TO READ THE PARTS LIST

ABBREVIATION OF MODEL AND MASS PRODUCTION'S DESTINATIONS

MODEL	ABB.	Australia	Canada	China	England	Europe	Germany	Korea	Malaysia
DPF-3030	B	-	-	-	T	E	-	-	-
DPF-3030E	B	-	-	-	-	E2	-	-	-
DPF-3030-S	S	-	-	-	T	E	-	-	-
MODEL	ABB.	Mexico	PX/AAFES	Russia	Scandinavia	Shanghai	USA	Other area	
DPF-3030	B	-	-	-	-	-	-	-	-
DPF-3030E	B	-	-	-	-	-	-	-	-
DPF-3030-S	S	-	-	-	-	-	-	-	-

L : Scandinavia K : USA P : Canada R : Mexico C : China I : Malaysia B : BLACK
 Y : PX(Far East,Hawaii) T : England E : Europe G : Germany V : China(Shanghai) S : SILVER
 Y : AAFES(Europe) X : Australia Q : Russia H : Korea M : Other Areas Δ indicates safety critical components .

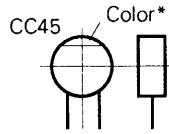
DPF-3030/3030E/3030-S

PARTS DESCRIPTIONS

CAPACITORS

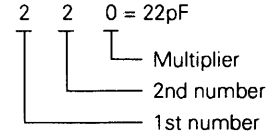
CC 45 TH 1H 220 J
 1 2 3 4 5 6

- 1 = Type ... ceramic, electrolytic, etc.
- 2 = Shape ... round, square, ect.
- 3 = Temp. coefficient
- 4 = Voltage rating
- 5 = Value
- 6 = Tolerance



• Capacitor value

- 010 = 1pF
- 100 = 10pF
- 101 = 100pF
- 102 = 1000pF = 0.001μF
- 103 = 0.01μF



• Temperature coefficient

1st Word	C	L	P	R	S	T	U
Color*	Black	Red	Orange	Yellow	Green	Blue	Violet
ppm/°C	0	-80	-150	-220	-330	-470	-750

2nd Word	G	H	J	K	L
ppm/°C	±30	±60	±120	±250	±500

Example : CC45TH = -470 ± 60ppm/°C

• Tolerance (More than 10pF)

Code	C	D	G	J	K	M	X	Z	P	No code
(%)	±0.25	±0.5	±2	±5	±10	±20	+40	+80	+100	More than 10μF -10 ~ +50
							-20	-20	-0	Less than 4.7μF -10 ~ +75

(Less than 10pF)

Code	B	C	D	F	G
(pF)	±0.1	±0.25	±0.5	±1	±2

• Voltage rating

2nd word	A	B	C	D	E	F	G	H	J	K	V
1st word											
0	1.0	1.25	1.6	2.0	2.5	3.15	4.0	5.0	6.3	8.0	-
1	10	12.5	16	20	25	31.5	40	50	63	80	35
2	100	125	160	200	250	315	400	500	630	800	-
3	1000	1250	1600	2000	2500	3150	4000	5000	6300	8000	-

• Chip capacitors

(EX) C C 7 3 F S L 1 H 0 0 0 J
 1 2 3 4 5 6 7

(Chip) (CH, RH, UJ, SL)

(EX) C K 7 3 F F 1 H 0 0 0 Z
 1 2 3 4 5 6 7

(Chip) (B, F)

Refer to the table above.

- 1 = Type
- 2 = Shape
- 3 = Dimension
- 4 = Temp. coefficient
- 5 = Voltage rating
- 6 = Value
- 7 = Tolerance

Dimension (Chip capacitors)

Dimension code	L	W	T
Empty	5.6 ± 0.5	5.0 ± 0.5	Less than 2.0
A	4.5 ± 0.5	3.2 ± 0.4	Less than 2.0
B	4.5 ± 0.5	2.0 ± 0.3	Less than 2.0
C	4.5 ± 0.5	1.25 ± 0.2	Less than 1.25
D	3.2 ± 0.4	2.5 ± 0.3	Less than 1.5
E	3.2 ± 0.2	1.6 ± 0.2	Less than 1.25
F	2.0 ± 0.3	1.25 ± 0.2	Less than 1.25
G	1.6 ± 0.2	0.8 ± 0.2	Less than 1.0

RESISTORS

• Chip resistor (Carbon)

(EX) R K 7 3 E B 2 B 0 0 0 J
 1 2 3 4 5 6 7

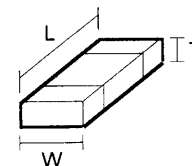
(Chip) (B,F)

• Carbon resistor (Normal type)

(EX) R D 1 4 B B 2 C 0 0 0 J
 1 2 3 4 5 6 7

- 1 = Type
- 2 = Shape
- 3 = Dimension
- 4 = Temp. coefficient
- 5 = Rating wattage
- 6 = Value
- 7 = Tolerance

Dimension



Dimension (Chip resistor)

Dimension code	L	W	T
E	3.2 ± 0.2	1.6 ± 0.2	1.0
F	2.0 ± 0.3	1.25 ± 0.2	1.0
G	1.6 ± 0.2	0.8 ± 0.2	0.5 ± 0.1

Rating wattage

Code	Wattage	Code	Wattage	Code	Wattage
1J	1/16W	2C	1/6W	3A	1W
2A	1/10W	2E	1/4W	3D	2W
2B	1/8W	2H	1/2W		

DPF-3030/3030E/3030-S

SPECIFICATIONS

[Format]

System Compact disc digital audio system
Laser Semiconductor laser

[D/A Convertors]

D/A Conversion 1-Bit D/A converter achieving a 24-bit resolution
Oversampling 8 fs (352.8 kHz)

[Audio]

Frequency response 4 Hz ~ 20 kHz, ± 0.5 dB
Signal to noise ratio More than 120 dB
Dynamic range More than 98 dB
Total harmonic distortion + noise Less than 0.003% (at 1 kHz)
Channel separation More than 100dB (at 1 kHz)
Wow & flutter Unmeasurable Limit
Output level/impedance
Variable (Max.) 2.0 V/0.8 k Ω
Digital output
Optical -15 dBm - -21 dBm
(Wave length 660 nm)
Headphone output (Max.) 20 mW (32 Ω)

[General]

Power consumption 12 W
Dimensions W : 440 mm (17-5/16")
H : 95 mm (3-3/4")
D : 370 mm (14-9/16")
Weight (Net) 4.3 kg (9.5 lb)



1. KENWOOD follows a policy of continuous advancements in development. For this reason specifications may be changed without notice.
2. The full performance may not be exhibited in an extremely cold location (under a water-freezing temperature).

Note:

Component and circuit are subject to modification to insure best operation under differing local conditions. This manual is based on Europe (E) standard, and provides information on regional circuit modification through use of alternate schematic diagrams, and information on regional component variations through use of parts list.

KENWOOD CORPORATION

14-6, Dogenzaka 1-chome, Shibuya-ku, Tokyo, 150-8501 Japan

KENWOOD SERVICE CORPORATION

P.O. BOX 22745, 2201 East Dominguez St., Long Beach, CA 90801-5745, U.S.A.

KENWOOD ELECTRONICS CANADA INC.

6070 Kestrel Road, Mississauga, Ontario, Canada L5T 1S8

KENWOOD ELECTRONICS LATIN AMERICA S.A.

P.O. BOX 55-2791, Piso 6 plaza Chase, Cl. 47 y Aquilino de la Guardia Panama, Republic de Panama

KENWOOD ELECTRONICS BRASIL LTDA.

Av. Moema, 170-17, Andar-Cobertura "B", Ed. Maximum Service Center, 04077-020 Moema, São Paulo-SP-Brasil

KENWOOD ELECTRONICS U.K. LIMITED

KENWOOD House, Dwight Road, Watford, Herts., WD1 8EB., United Kingdom

KENWOOD ELECTRONICS BELGUM N.V.

Meachelsesteenweg 418, B-1930 Zaventem, Belgium

KENWOOD ELECTRONICS DEUTSCHLAND GMBH

Rembrücker Str. 15, 63150 Heusenstamm, Germany

KENWOOD ELECTRONICS FRANCE S.A.

13 Boulevard Ney, 75018 Paris, France

KENWOOD ELECTRONICS ITALIA S.p.A.

Via G. Sirtori, 7/9 20129, Milano, Italy

KENWOOD IBÉRICA S.A.

Bolivia, 239-08020 Barcelona, Spain

KENWOOD ELECTRONICS AUSTRALIA PTY. LTD.

(A.C.N. 001 499 074)
16 Giffnock Avenue, North Ryde, N.S.W. 2113, Australia

KENWOOD ELECTRONICS (HONG KONG) LTD.

Unit 3712-3724, Level 37, Tower 1, Metroplaza, 223 Hing Fong Road, Kwai Fong N.T., Hong Kong

KENWOOD ELECTRONICS GULF FZE

P.O. Box 61318, Jebel Ali, Dubai, U.A.E.

KENWOOD ELECTRONICS SINGAPORE PTE LTD.

No. 1 Genting Lane #02-02, KENWOOD Building, Singapore, 349544

KENWOOD ELECTRONICS (MALAYSIA) SDN BHD.

#4.01 Level 4, Wisma Academy Lot 4A, Jalan 19/1 46300 Petaling Jaya Selangor Darul Ehsan Malaysia

KENWOOD ELECTRONICS (THAILAND) CO., LTD.

2019 New Pechburi Road, Bangkapi, Huaykwang, Bangkok, 10320 Thailand